


|   |   |
|---|---|
| Item  | Industrial POE Ethernet Switch              |
| Model No.   | IES3208P-SFP                                |
| Description   | 8 x 10/100/1000Base-T POE to 2 x 1000Base-X |
|  |   |

### Overview

IES3208P-SFP Industrial POE Switch is a High Power Sourcing Equipment (PSE) device that compliant with the IEEE802.3af/at standard, providing Power-over-Ethernet over twisted pair cables in an Ethernet network. With Dual Gigabit SFP Slot, the switch is deal for extending Ethernet over distance via fiber daisy-chain, while also eliminating the need for individual power supply for IP video camera and wireless access points. Extended operating temperature range allows installation in unconditioned outdoor cabinets or industrial environments.

The IES3208P-SFP features 2x 1000Base-X SFP Slot and 8 x 10/100/1000Base-T twisted-pair port. The SFP slot port for any kind of MSA-compliant pluggable 1.25G SFP Transceivers, the twisted-pair port has 8 x RJ-45 connector with a maximum operating distance of 100m.

The IES3208P-SFP is a high performance and cost-effective industrial un-managed switch that meets the high reliability requirements of industrial network operations. It is designed to extend the distance of network by converting Gigabit Ethernet data between twisted pair cabling and multi-mode or single-mode fiber-optic cabling.

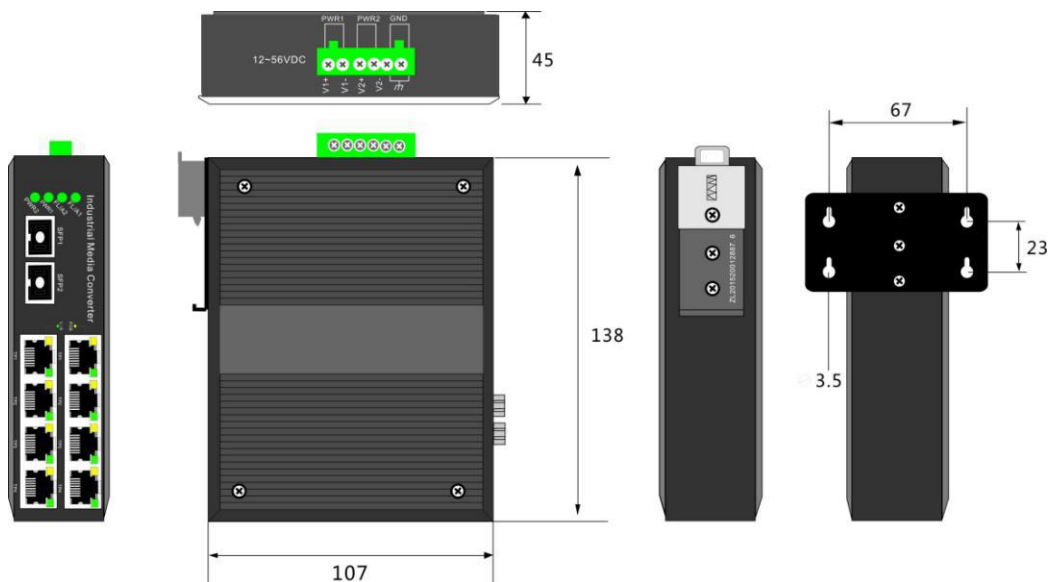
The IES3208P-SFP series enables real-time deterministic network operation, requires no configuration and will instantly operate as soon as you power it up. Additionally, they can be installed by DIN-rail or wall-mounted, allowing users to deploy any mix of network conversions required.

## Features

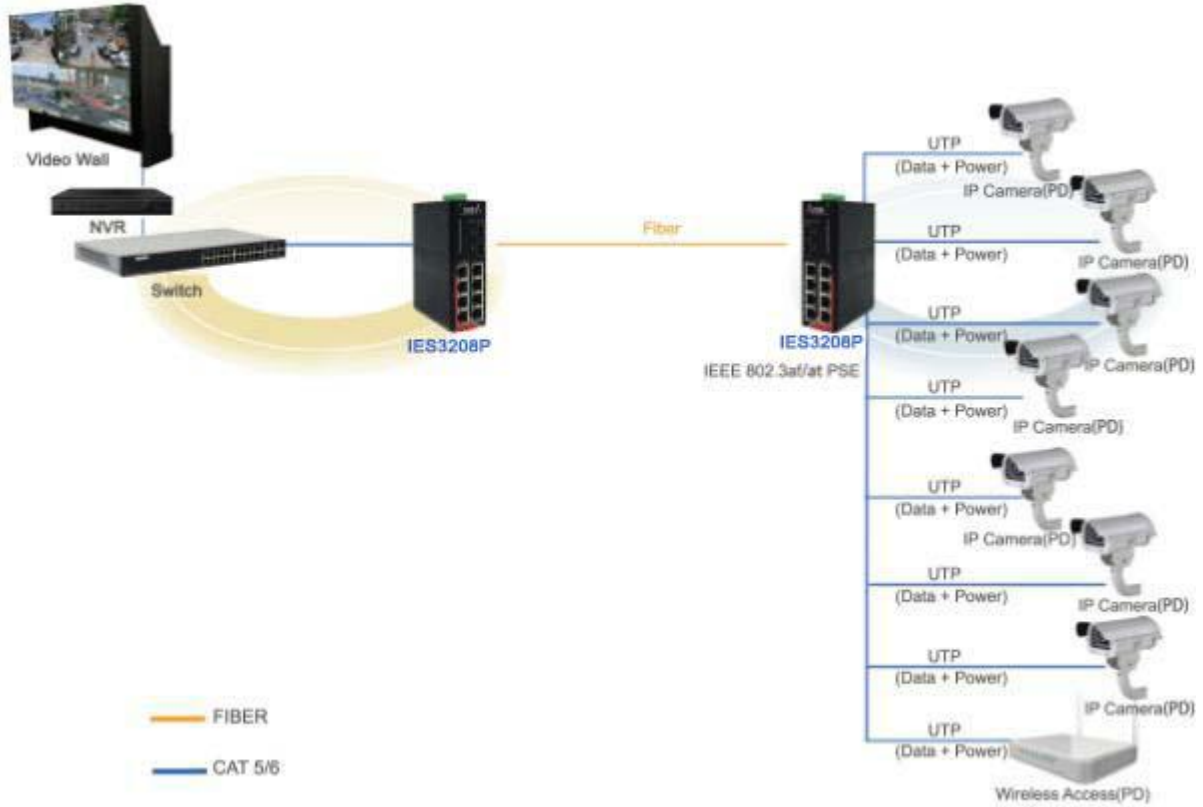
- Provide 8 x 10/100/1000Base-T
- 2 x 1000Base-X SFP Slot for Daisy-Chain
- IEEE803.3af/at compliant
- RJ45 support auto MDI/MDI-X function
- Auto-negotiation speed, half/full-duplex
- Store-and-forward
- Max packet size: 10K bytes
- Support wide operating temperature (-40 °C ~ +85 °C)
- Wide-range redundant power design (12~56VDC)
- Power polarity reverse protect
- Overload current resettable fuse present
- IP-40 protection
- Provide EFT protection for Power line
- Support Ethernet ESD protection
- DIN-Rail and Wall-Mounted Installation
- Low power consumption

## Structure

Unit: (mm)



## Applications



### Technical Specifications

|                          |  |
|--------------------------|--|
| Standards                | IEEE802.3 10Base-T<br>IEEE802.3u 100Base-TX<br>IEEE802.3ab 1000Base-T<br>IEEE802.3z 1000Base-SX/LX standards<br>IEEE802.3x Flow control and back pressure<br>IEEE802.1d Spanning Tree<br>IEEE802.3af/at POE                    |
| Performance              | Processing Type: Store and Forward<br>Back Bandwidth: 20Gbps<br>MAC Address Size: 16Kbit<br>Packet Buffer Size: 2Mbit<br>Time Delay: <10us<br>Frame: 10kbytes  |
| Copper Port              | Data Rate: 10/100/1000M<br>Connector: RJ45 x 8<br>Distance: 100m   |
| Fiber Port               | Data Rate: 1.25G<br>Connector: SFP slot x 2<br>Distance: Up to SFP Transceivers  |
| LED indicators           | PWR1: ON=Power Connected<br>PWR2: ON= Power Connected<br>FL/A: ON=Fiber Connected; Active=Data Transmitting<br>TL/A: ON=Copper Connected; Active= Data Transmitting  |
| Power                    | Input Voltage: 12~56 VDC, redundant power inputs<br>Power Consumption: ≤8W<br>PoE Budget: 15.4Wx8=123W(PoE) 30Wx8=240W(PoE+)<br>Protection: Overload Current; Reverse Polarity<br>Connector: Terminal Block                    |
| Environment              | Operating Temperature: -40 °C ~ +85 °C<br>Storage Temperature: --40 °C ~ +95 °C<br>Relative Humidity: 5-95% (no condensation)  |
| Physical Characteristics | Housing: IP40 Protection, Aluminum Alloy<br>Installation: DIN-rail mounting, wall mounting(with optional kit)<br>Dimension: 138*107*45mm(device); 220*175*73mm(packing)<br>Weight: 0.48kg(device); 0.63kg(device with packing) |

**Standards and Certifications**

|                 |                                 |
|-----------------|---------------------------------|
| EMC             | CE                              |
| EMI             | FCC Part 15 CLASS A             |
| EMS             | IEC 61000-4-2 Level 4 (8K/15K)  |
|                 | IEC 61000-4-3 Level 3 (10V/m)   |
|                 | IEC 61000-4-4 Level 3 (1V/2V)   |
|                 | IEC 61000-4-5 Level 3 (4KV/2KV) |
|                 | IEC 61000-4-6 Level 3 (10V/m)   |
|                 | IEC 61000-4-8 Level 4 (30A/m)   |
| Shock           | IEC 60068-2-27                  |
| Freefall        | IEC 60068-2-32 0.5m             |
| Vibration       | IEC 60068-2-6                   |
| Railway Traffic | EN50121-4                       |

**Order Information**

| Model No.   | Description                       |
|---|-----------------------------------|
| IES3208P-SFP  | 10/100/1000M 2GX8GE POE, SFP Slot |
| Note:<br>1. Power supply provided by user or ordered additionally |                                   |