


Item	Industrial POE Ethernet Switch
Model No.	IES3204P-SFP
Description	4 x 10/100/1000Base-T POE to 2 x 1000Base-X
	

Overview

IES3204P-SFP Industrial POE Switch is a High Power Sourcing Equipment (PSE) device that compliant with the IEEE802.3af/at standard, providing Power-over-Ethernet over twisted pair cables in an Ethernet network. With Dual Gigabit SFP Slot, the switch is deal for extending Ethernet over distance via fiber daisy-chain, while also eliminating the need for individual power supply for IP video camera and wireless access points. Extended operating temperature range allows installation in unconditioned outdoor cabinets or industrial environments.

The IES3204P-SFP features 2x 1000Base-X SFP Slot and 4 x 10/100/1000Base-T twisted-pair port. The SFP slot port for any kind of MSA-compliant pluggable 1.25G SFP Transceivers, the twisted-pair port has 4 x RJ-45 connector with a maximum operating distance of 100m.

The IES3204P-SFP is a high performance and cost-effective industrial un-managed switch that meets the high reliability requirements of industrial network operations. It is designed to extend the distance of network by converting Gigabit Ethernet data between twisted pair cabling and multi-mode or single-mode fiber-optic cabling.

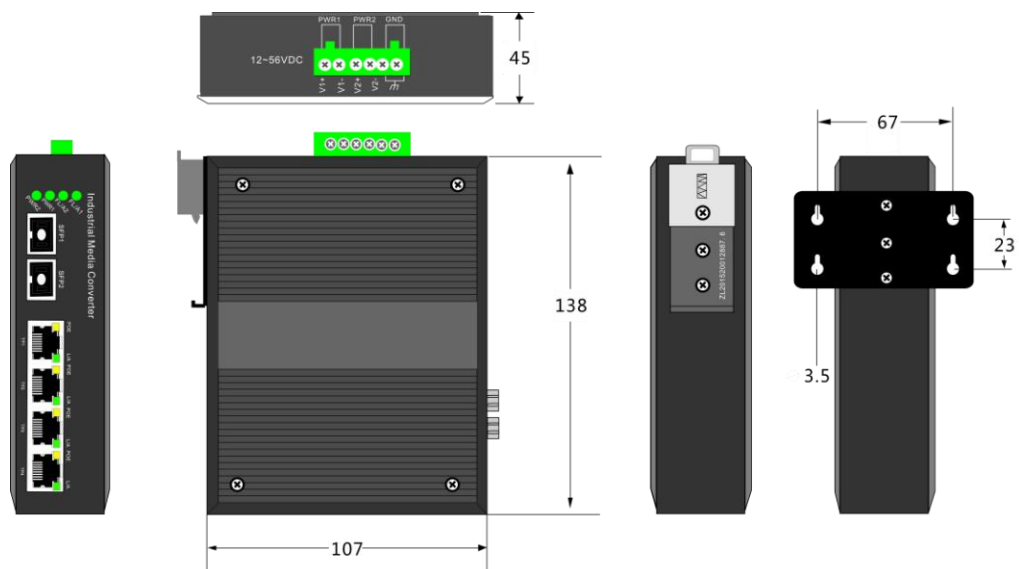
The IES3204P-SFP series enables real-time deterministic network operation, requires no configuration and will instantly operate as soon as you power it up. Additionally, they can be installed by DIN-rail or wall-mounted, allowing users to deploy any mix of network conversions required.

Features

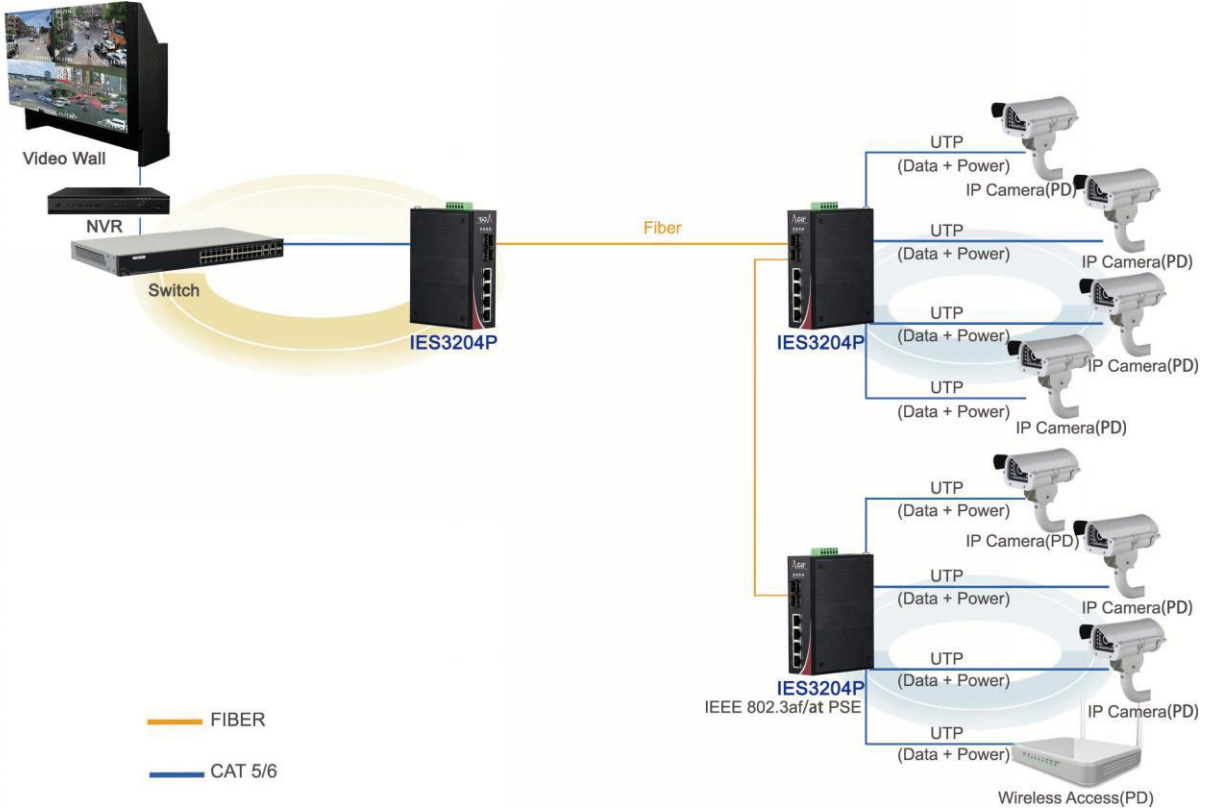
- Provide 4 x 10/100/1000Base-T
- 2 x 1000Base-X SFP Slot for Daisy-Chain
- IEEE803.3af/at compliant
- RJ45 support auto MDI/MDI-X function
- Auto-negotiation speed, half/full-duplex
- Store-and-forward
- Max packet size: 10K bytes
- Support wide operating temperature (-40 °C ~ +85 °C)
- Wide-range redundant power design (12~56VDC)
- Power polarity reverse protect
- Overload current resettable fuse present
- IP-40 protection
- Provide EFT protection for Power line
- Support Ethernet ESD protection
- DIN-Rail and Wall-Mounted Installation
- Low power consumption

Structure

Unit: (mm)



Applications



Technical Specifications

Standards	IEEE802.3 10Base-T IEEE802.3u 100Base-TX IEEE802.3ab 1000Base-T IEEE802.3z 1000Base-SX/LX standards IEEE802.3x Flow control and back pressure IEEE802.1d Spanning Tree IEEE802.3af/at POE
Performance	Processing Type: Store and Forward Back Bandwidth: 12Gbps MAC Address Size: 1Kbit Packet Buffer Size: 1Mbit Time Delay: <10us Frame: 10Kbytes
Copper Port	Data Rate: 10/100/1000M Connector: RJ45 x 4 Distance: 100m
Fiber Port	Data Rate: 1.25G Connector: SFP slot x 2 Distance: Up to SFP Transceivers
LED indicators	PWR1: ON=Power Connected PWR2: ON= Power Connected FL/A: ON=Fiber Connected; Active=Data Transmitting TL/A: ON=Copper Connected; Active= Data Transmitting
Power	Input Voltage: 12~56 VDC, redundant power inputs Power Consumption: ≤7W PoE Budget: 15.4Wx4=62W(PoE) 30Wx4=120W(PoE+) Protection: Overload Current; Reverse Polarity Connector: Terminal Block
Environment	Operating Temperature: -40 °C ~ +85 °C Storage Temperature: --40 °C ~ +95 °C Relative Humidity: 5-95% (no condensation)
Physical Characteristics	Housing: IP40 Protection, Aluminum Alloy Installation: DIN-rail mounting, wall mounting(with optional kit) Dimension: 138*107*45mm(device); 220*175*73mm(packing) Weight: 0.48kg(device); 0.63kg(device with packing)

Standards and Certifications

EMC	CE
EMI	FCC Part 15 CLASS A
EMS	IEC 61000-4-2 Level 4 (8K/15K)
	IEC 61000-4-3 Level 3 (10V/m)
	IEC 61000-4-4 Level 3 (1V/2V)
	IEC 61000-4-5 Level 3 (4KV/2KV)
	IEC 61000-4-6 Level 3 (10V/m)
	IEC 61000-4-8 Level 4 (30A/m)
Shock	IEC 60068-2-27
Freefall	IEC 60068-2-32 0.5m
Vibration	IEC 60068-2-6
Railway Traffic	EN50121-4

Order Information

Model No.	Description
IES3204P-SFP	10/100/1000M 2GX4GE POE, SFP Slot
Note:	
1. Power supply provided by user or ordered additionally	